

Rangetop Foster Milano Line

Rangetop and Top inox

Code: 3164 000



DETAILS

Material AISI 304 stainless steel

Texture Brushed in line

Dimensions 1200x500 mm

Heating element Four burners

Built-in hole 560 x 480 mm

Grids Cast iron grids and enamelled burner covers

Total power 9.950 W

Auxiliary 1.000 W

Semirapid 1.750 W

Rapid 3.000 W

Dual 4.200 W

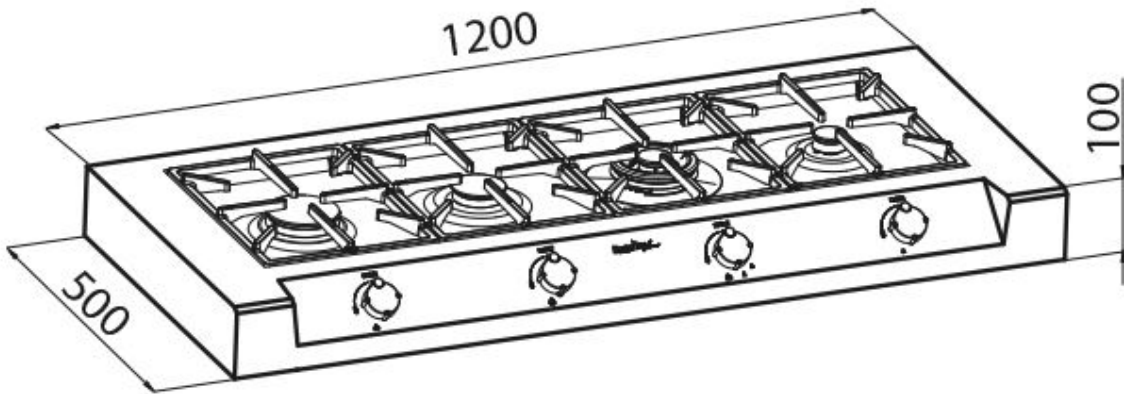
Safety Safety valve with quick-acting thermocouple

Ignition Electric ignition under knob

Gas type Tested for installation with natural gas, LPG nozzle set included.

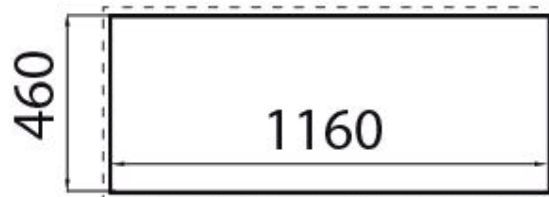
Type Gas Hob

TECHNICAL DATA



Incasso

①



GALLERY

